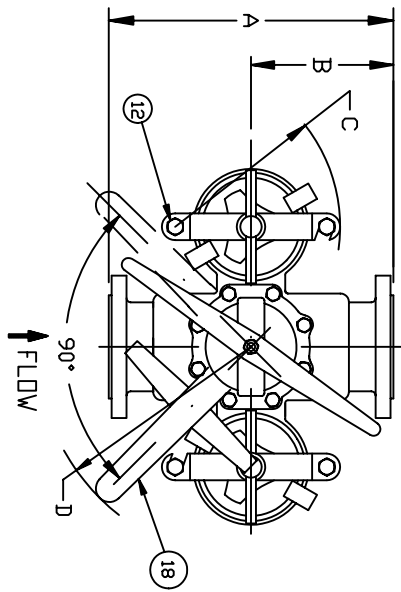
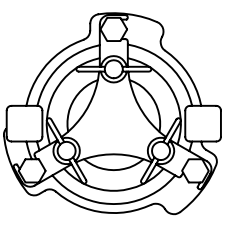
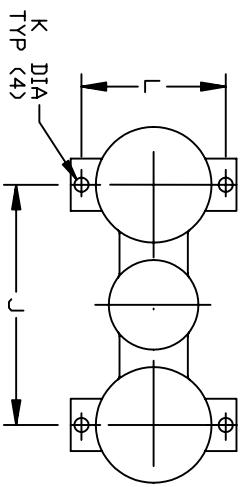
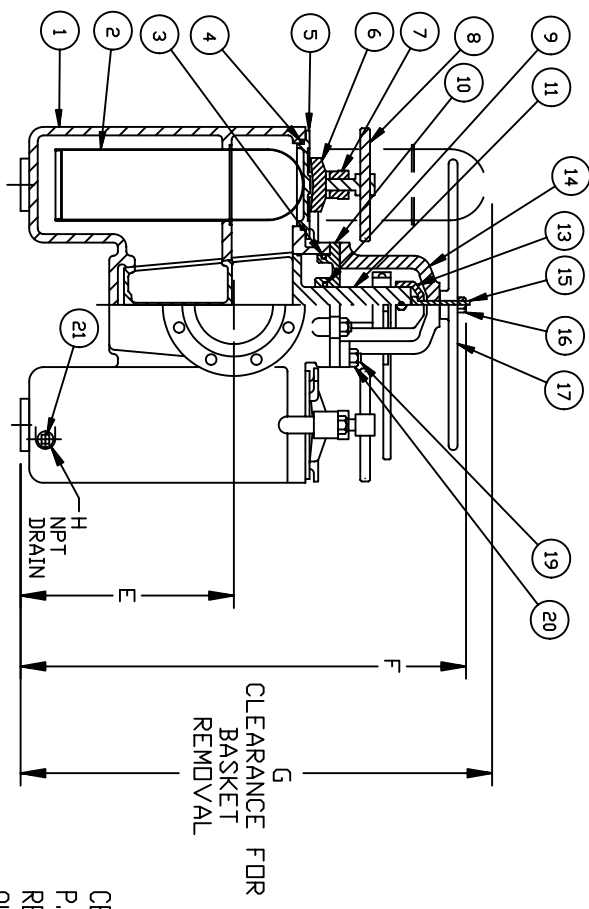


PIPE SIZE (NOMINAL)	DIMENSIONS										WEIGHT LBS. KGS.	HAYWARD PART NO.	
	A IN. MM.	B IN. MM.	C IN. MM.	D IN. MM.	E IN. MM.	F IN. MM.	G IN. MM.	H (NDM) IN. MM.	J IN. MM.	K IN. MM.			L IN. MM.
6" (150mm)	22.00 / 559	12.88 / 327	11.75 / 298	19.75 / 502	18.50 / 470	35.00 / 889	42.00 / 1067	3/8 / 10	20.75 / 527	0.63 / 16	12.50 / 318	580 / 263	ST0500600R32C
8" (200mm)	25.00 / 635	14.00 / 356	-- / --	28.00 / 711	22.44 / 570	50.00 / 1270	56.00 / 1422	1/2 / 15	30.75 / 781	0.88 / 22	17.00 / 432	1610 / 730	ST0500800R32C



- NOTES:
1. INLET/OUTLET FLANGE CONNECTIONS PER ANSI B16.5.
 2. SIZE 6" USE COVER CLAMP (ITEM 6).
 3. MAX. WORKING PRESSURE: 6" SIZE, 200 PSI @ 100°F < 13.8 BAR @ 37.8°C)
8" SIZE, 150 PSI @ 100°F < 10.3 BAR @ 37.8°C)



8" COVER & YOKE
DETAIL

NO.	PART NAME	MATERIAL
1	BODY	CSTL ASTM A216 GR. WCB
2	BASKET	
	PERF. DIA.	
	MESH	
3	D-RING (SIZE - 6")	BUNA-N
	GASKET (SIZE - 8")	NON-ASBESTOS
4	D-RING	BUNA-N
5	COVER	CSTL ASTM A216 GR. WCB
6	COVER CLAMP	DUCTILE IRON
7	YOKE	DUCTILE IRON
8	YOKE SCREW AND PIN ASSY	CARBON STEEL
9	D-RING	BUNA-N
10	BONNET	CSTL ASTM A216 GR. WCB
11	DIVERTER PLUG	SSTL ASTM A351 GR. CF8M
12	YOKE STUD	STEEL
13	JACK COLLAR	DUCTILE IRON
14	JACK BONNET	DUCTILE IRON
15	JACKSCREW	STEEL
16	JACKSCREW NUT	CARBON STEEL
17	LIFTING HANDLE	DUCTILE IRON
18	TURNING HANDLE	DUCTILE IRON
19	BONNET STUD	ALLOY STEEL
20	BONNET STUD NUT	CARBON STEEL
21	DRAIN PLUG	CARBON STEEL

CERTIFIED FOR:
P.I.D. NO. ;
REG. NO. ;
QUOTE NO. ;
TAG NO. ;

ELECTRONIC FILE NAME: SD051096.DWG
REF. ECR C814 DATE 12/15/04

UNAUTHORIZED USE, MANUFACTURE OR REPRODUCTION IN WHOLE OR IN PART IS PROHIBITED. DRAWING, DESIGN AND OTHER DISCLOSURES PROPERTY OF HAYWARD INDUSTRIAL PRODUCTS, INC.

HAYWARD INDUSTRIAL PRODUCTS, INC.
900 FAIRMOUNT AVENUE, ELIZABETH, NEW JERSEY 07207

MODEL 50 DUPLEX STRAINER
150# RAISED FACE FLANGE
SIZES 6" & 8" CS BODY /SS D.P.LUG

DRAWN	VA	DATE	7/11/02	CERT.	FM	DATE	7/11/02	
SIZE	DWG	NO	A					
							REV	B

SD051096