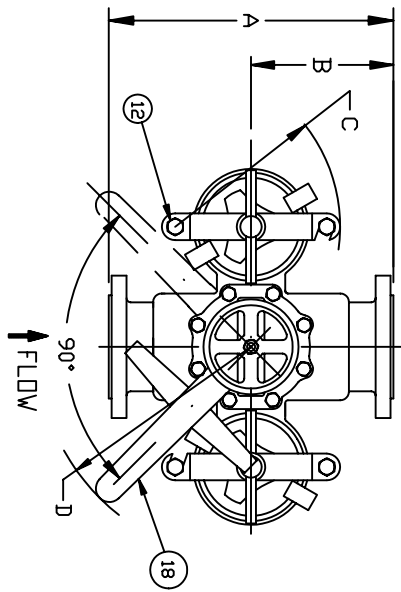
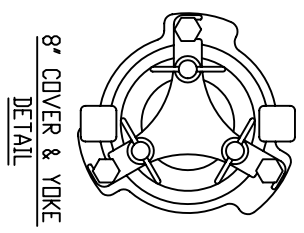
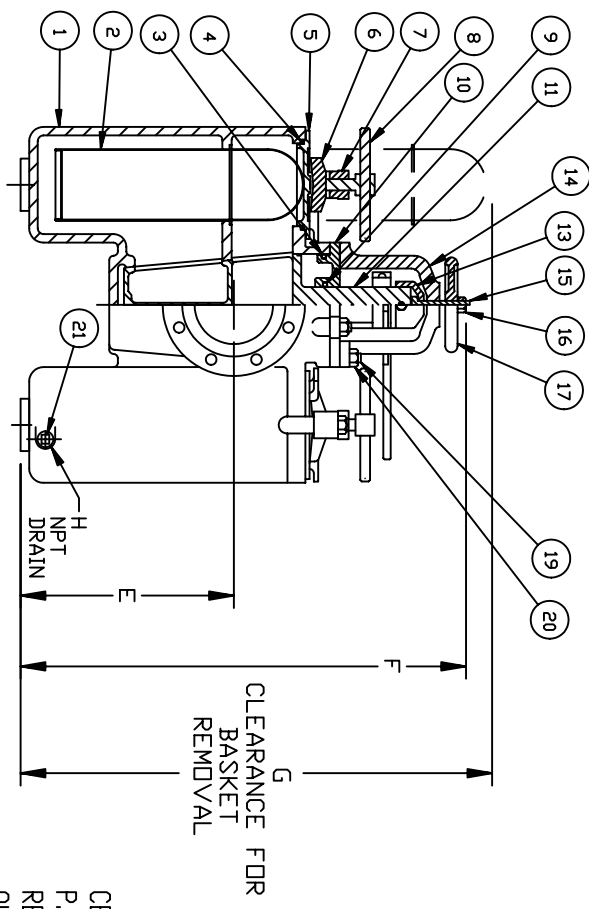


| PIPE SIZE<br>(NOMINAL) | DIMENSIONS      |                 |                 |                 |                 |                 |                 |                 |                 |                 |                 | WEIGHT<br>LBS. KGS. | PART NO.      |
|------------------------|-----------------|-----------------|-----------------|-----------------|-----------------|-----------------|-----------------|-----------------|-----------------|-----------------|-----------------|---------------------|---------------|
|                        | A<br>IN.<br>MM. | B<br>IN.<br>MM. | C<br>IN.<br>MM. | D<br>IN.<br>MM. | E<br>IN.<br>MM. | F<br>IN.<br>MM. | G<br>IN.<br>MM. | H<br>IN.<br>MM. | J<br>IN.<br>MM. | K<br>IN.<br>MM. | L<br>IN.<br>MM. |                     |               |
| 6" (150mm)             | 22.00 / 559     | 12.88 / 327     | 11.75 / 298     | 19.75 / 502     | 18.50 / 470     | 35.00 / 889     | 42.00 / 1067    | 3/8 / 10        | 20.75 / 527     | 0.63 / 16       | 12.50 / 318     | 580 / 263           | ST0500600R31C |
| 8" (200mm)             | 25.00 / 635     | 14.00 / 356     | -- / --         | 28.00 / 711     | 22.44 / 570     | 50.00 / 1270    | 56.00 / 1422    | 1/2 / 15        | 30.75 / 781     | 0.88 / 22       | 17.00 / 432     | 1610 / 730          | ST0500800R31C |



- NOTES:
1. INLET/OUTLET FLANGE CONNECTIONS PER ANSI B16.5.
  2. SIZE 6" USE COVER CLAMP (ITEM 6).
  3. MAX. WORKING PRESSURE: 6" SIZE, 200 PSI @ 100°F ( 13.8 BAR @ 37.8°C )  
8" SIZE, 150 PSI @ 100°F ( 10.3 BAR @ 37.8°C )



| NO. | PART NAME               | MATERIAL               |
|-----|-------------------------|------------------------|
| 1   | BODY                    | CSTL ASTM A216 GR. WCB |
| 2   | BASKET                  |                        |
|     | PERF. DIA.              |                        |
|     | MESH                    |                        |
| 3   | D-RING (SIZE - 6")      | BUNA-N                 |
|     | GASKET (SIZE - 8")      | NON-ASBESTOS           |
| 4   | D-RING                  | BUNA-N                 |
| 5   | COVER                   | CSTL ASTM A216 GR. WCB |
| 6   | COVER CLAMP             | DUCTILE IRON           |
| 7   | YOKE                    | DUCTILE IRON           |
| 8   | YOKE SCREW AND PIN ASSY | CARBON STEEL           |
| 9   | D-RING                  | BUNA-N                 |
| 10  | BONNET                  | CSTL ASTM A216 GR. WCB |
| 11  | DIVERTER PLUG           | BRONZE ASTM B62        |
| 12  | YOKE STUD               | STEEL                  |
| 13  | JACK COLLAR             | DUCTILE IRON           |
| 14  | JACK BONNET             | DUCTILE IRON           |
| 15  | JACKSCREW               | STEEL                  |
| 16  | JACKSCREW NUT           | CARBON STEEL           |
| 17  | HANDWHEEL               | DUCTILE IRON           |
| 18  | TURNING HANDLE          | DUCTILE IRON           |
| 19  | BONNET STUD             | ALLOY STEEL            |
| 20  | BONNET STUD NUT         | CARBON STEEL           |
| 21  | DRAIN PLUG              | CARBON STEEL           |

CERTIFIED FOR:  
 P.D. NO.;  
 REG. NO.;  
 QUOTE NO.;  
 TAG NO.;

ELECTRONIC FILE NAME: SD051093.DWG  
 REF. ECR D507  
 DATE 11/1/05

UNAUTHORIZED USE, MANUFACTURE OR REPRODUCTION IN WHOLE OR IN PART IS PROHIBITED. DRAWING, DESIGN AND OTHER DISCLOSURES PROPERTY OF EATON FILTRATION, LLC

|                    |    |   |             |                 |          |
|--------------------|----|---|-------------|-----------------|----------|
|                    |    | Monarch Asia Pacific Pty Ltd<br>Brisbane - Australia<br>www.monarchasiapacific.com.au |             |                 |          |
|                    |    | MODEL 50 DUPLEX STRAINER<br>150# RAISED FACE FLANGE<br>SIZES 6" & 8" CARBON STEEL     |             |                 |          |
| DRAWN<br>SIZE<br>A | FM | DATE<br>1/14/94   | CERT.<br>JQ | DATE<br>1/14/94 | REV<br>E |
| SD051093           |    |   |             |                 |          |