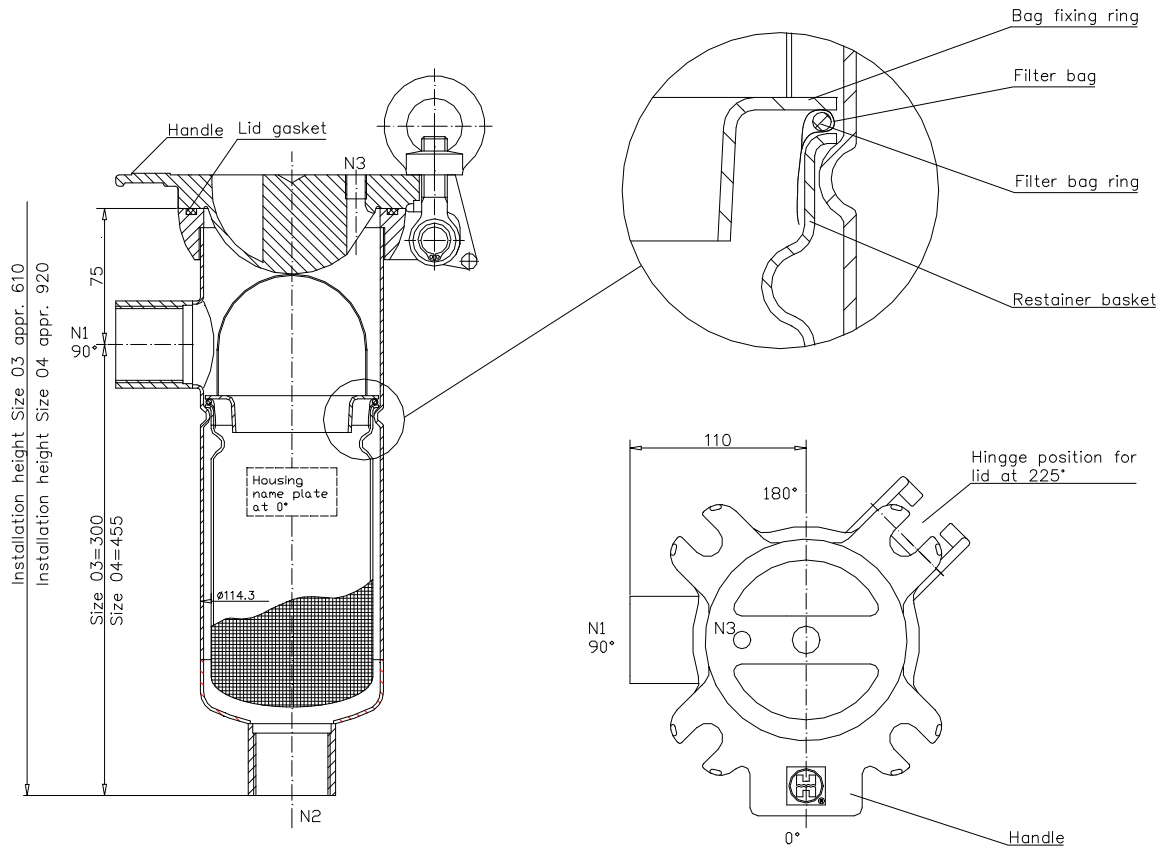


## Eaton GAF Bag filter - MINILINE SIDELINE 316 Stainless Steel



0-0133 Rev.13.10.2000

all dimensions in mm

Specification (Changes possible w/o notice) Spe. 18.05.2000		Size 03	Size 04
<b>Type code</b>		SBF-0103-AB16-040B	SBF-0104-AB16-040B
<b>Max. flow rate</b> (m <sup>3</sup> /h)		6	12
<b>Filter area</b> (m <sup>2</sup> )		0.09	0.16
<b>Filter housing volume</b> (litre)		3	4.5
<b>Filter housing weight</b> (kg)		approx. 12	approx. 13
<b>Installation height</b> (cm)		approx. 61	approx. 92
<b>Installation space</b> (cm)		approx. 25 x 25	
<b>Mode of installation</b>		self-supporting	
<b>Material of construction</b>	Housing	SS 316 (wetted housing parts)	
	Restrainer basket	SS 316	
	Closure	Steel galvanized (swing eye bolts and ring nuts)	
	Other parts	SS 304	
<b>Operating data</b>		max. 16 bar / 160 °C	
<b>Housing connections</b>	N1/N2 (inlet / outlet)	1 1/2" BSP female	
	N3 (lid hole)	1/4" BSP female with plug	
<b>Hinged lid</b>		standard position at 225°	
<b>Packing:</b> corrugated box (cm)		L = 45 x W = 25 x H = 25	L = 60 x W = 25 x H = 25

### Monarch Group – Filters, Strainers, Separators & Pipeline Equipment

**Monarch Industrial Products**  
 Brisbane, Australia  
 Ph +61 (0) 7 3298 5000  
[www.monarchindustrial.com.au](http://www.monarchindustrial.com.au)

**PSF Equipment Thailand**  
 Bangkok, Thailand  
 Ph +66 (0) 2 882 5512  
[www.psfthailand.com](http://www.psfthailand.com)

## Eaton GAF Bag filter - MINILINE SIDELINE 316 Stainless Steel

<b>Spare parts</b> (Changes possible w/o notice) Spe. 18.05.2000	<b>Size 03</b>	<b>Size 04</b>
Restrainer basket	BKT-AS-AB-03	BKT-AS-AB-04
Bag fixing ring	BFR-85-AB-03	
NBR-lid gasket	OR-SBF-B-C03	
Bolt set (Swing eye bolt) 4 sets	EBS-M16ZA-65	

<b>Accessories (order separately)</b>	<b>Size 03</b>	<b>Size 04</b>
filter bags	Size 03	Size 04
Mesh strainers (25 - 800 µm)	FMB-UK-AB-03-25 - 800	FMB-UK-AB-04-25 - 800
O-ring-gaskets	VITON, EPDM, FEP/Viton, FEP/Silicone, TEFLON	
Pressure gauge (16 bar) 1/4" BSP male	PGE-IND-AB-1/4	
Vent valve 1/4" BSP male	E-1/4-S	

### *Monarch Group – Filters, Strainers, Separators & Pipeline Equipment*

**Monarch Industrial Products**  
Brisbane, Australia  
Ph +61 (0) 7 3298 5000  
[www.monarchindustrial.com.au](http://www.monarchindustrial.com.au)

**PSF Equipment Thailand**  
Bangkok, Thailand  
Ph +66 (0) 2 882 5512  
[www.psfthailand.com](http://www.psfthailand.com)